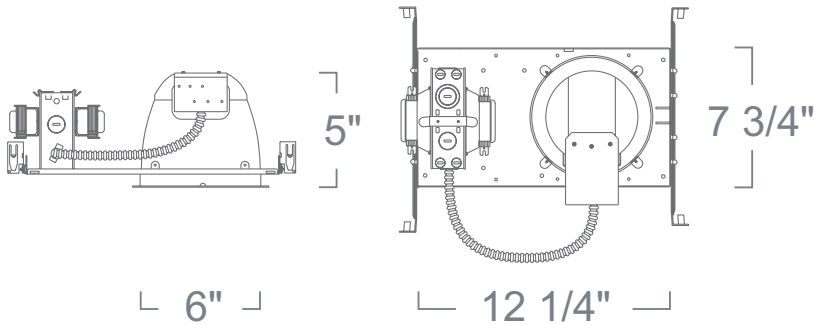


LFH113 / LFH226

LFH1&2 SERIES - 6" LIGHT COMMERCIAL CFL HORIZONTAL HOUSINGS



SPECIFICATION

CFL

Application: Light commercial recessed downlight housing for medium to high ceilings for commercial and high-end residential installations. A variety of compatible trim styles and finishes are available to achieve the proper illumination.

Housing & Mounting Frame: 18 gauge galvanized flat frame with powder coat finish for ceiling up to 1 3/4" thick. Supplied with (2) 24" adjustable bar hangers (90 degrees repositioning ability). Bar hangers equipped with (nail-less installation) 3/4" serrated barbed studs for secure mounting in wood joists. Can also be mounted to grid panel ceiling. Earthquake structural cable compatible for drop panel ceiling or any other mounting that requires direct support from structural ceilings.

Ballast: Electronic Class P 60Hz Ballast with Inherent thermal protection. For Double Twin Tube (DTT) or Triple Twin Tube Lamps (TTT). Sound A rated. Micro-Processor controlled. Min. starting temperature -10°C. Accessible from above or below the ceiling. Contact factory for detailed technical information on ballast specifications. Note: For dimming applications must use compatible dimmer switch. Consult specific ballast manufacturer for up-to-date compatibility list.

Socket Cap: Heavy-Duty steel socket enclosure with built-in ventilations. Die-cast aluminum fittings. Accepts compatible reflector trims.

Socket: Thermo-plastic socket UL Listed rated for high temperature and provides nickel plated contacts. Accepts 4-Pin lamps with electronic ballast selection.

Junction Box: 16 gauge pre-wired galvanized steel Junction Box, 32 cubic-inch for a maximum of (8) #12 AWG wires. Furnished with (6) 3/4" and (4) Romex knock-outs. Strain clamps to install or remove covers for easy access and ground wire. Equipped with safety standard fitting for flex-conduit.

Insulation Contact: Non-IC rated housing must be kept 3" from insulation.

Safety Labels: UL/CUL listed for through-branch wiring (8) No.12 AWG 90°C and suitable for damp locations. NYC approved: Calendar #41937.

Emergency Option: Emergency back-up operates one lamp for a minimum of 90 minutes at 750 Lumens in case of power outage. Unit is remotely mounted. It includes battery, charger, and test switch with indicator light. Consult Factory for 1300 Lumen Package.

Label: UL Listed, cETL Listed

Assembled in USA

COMPATIBILITY

 LR668 CROSS BLADE REFLECTOR	 LR667 REFLECTOR W/ EYELID WALL WASH	 LFB2012 FIRE BARRIER
 LR669 WALL WASH W/ PRISMATIC LENS	 LR661 REFLECTOR	 LR661 SELF-FLANGED REFLECTOR

Note: Wattage limitations on compatible items must be met.

2016.6.14

FEATURE:



ORDERING EXAMPLE : LFH113E-27

LFH	WATTAGE	BALLAST	OPTION
LFH	113 :(1) 13W	UD :0-10V Dimming (120V/277V)	Blank :None
	118 :(1) 18W	E :Electronic (120V)	-EM :Emergency
	126 :(1) 26W	E-27 :Electronic (120V/277V)	-FS :Fuse
	132 :(1) 32W		
	213 :(2) 13W		
	218 :(2) 18W		
	226 :(2) 26W		

ID#: 426